



Shut-off and control technology



A line of ball valves and ideas



Table of contents

 Attachments, accessories	161
--	-----

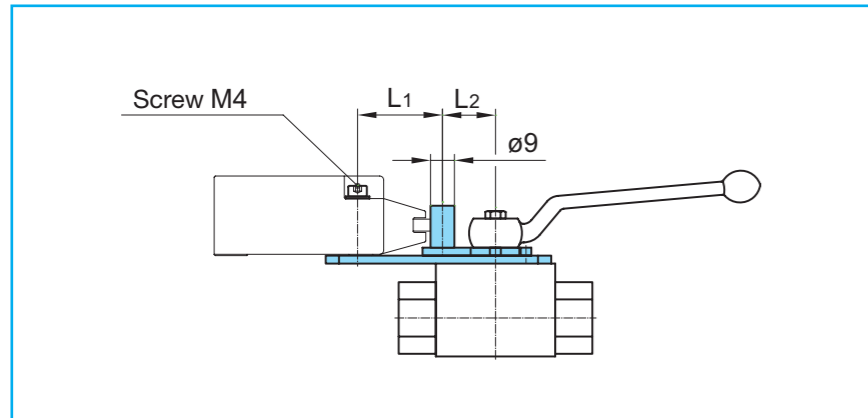


Product overview

- Mounting kits for limit switches
- Mounting kits for proximity switches
- Locking devices
- Actuators
- Detents
- Handles



Mounting kits for limit switches



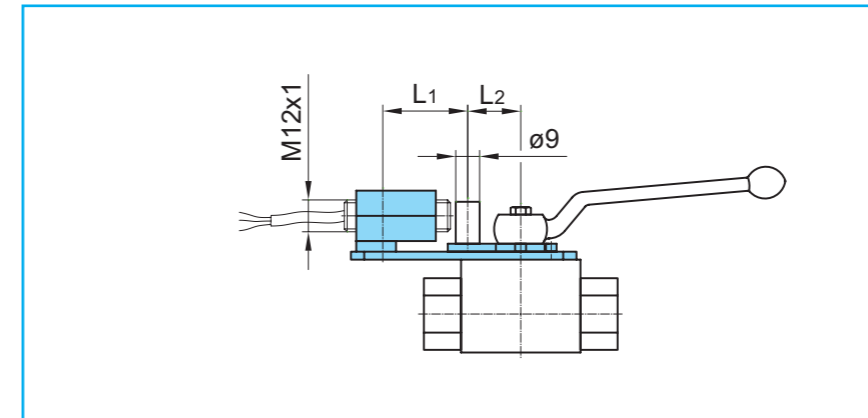
For dimensions and article-numbers for ball valve bodies refer to the respective chapter.
 Mounting kits for other types of ball valves on request
 All dimensions subject to change without notice
Also completely assembled available

Steel

Steel

Switching positions	DN	2-way- and multi-way ball valves with floating ball			Multi-way ball valves with trunnion ball		
		Article-No.	L1	L2	Article-No.	L1	L2
open	4/6	204 001	50,5	20	204 031	58,0	27,5
	8/10	204 002	50,5	20	204 032	61,5	31,0
	12	204 003	61,5	31	204 032	61,5	31,0
	16	204 003	61,5	31	204 032	61,5	31,0
	20/25	204 005	61,5	31	204 033	64,5	34,0
	32	204 006	64,5	34	204 033	64,5	34,0
closed	4/6	204 011	50,5	20	204 041	58,0	27,5
	8/10	204 012	50,5	20	204 042	61,5	31,0
	12	204 013	61,5	31	204 042	61,5	31,0
	16	204 013	61,5	31	204 042	61,5	31,0
	20/25	204 015	61,5	31	204 043	64,5	34,0
	32	204 016	64,5	34	204 043	64,5	34,0
open and closed	4/6	204 021	50,5	20	204 051	58,0	27,5
	8/10	204 022	50,5	20	204 052	61,5	31,0
	12	204 023	61,5	31	204 052	61,5	31,0
	16	204 023	61,5	31	204 052	61,5	31,0
	20/25	204 025	61,5	31	204 053	64,5	34,0
	32	204 026	64,5	34	204 053	64,5	34,0
	40	204 026	64,5	34	204 054	64,5	34,0
	50	204 026	64,5	34	-		

Mounting kits for proximity switches

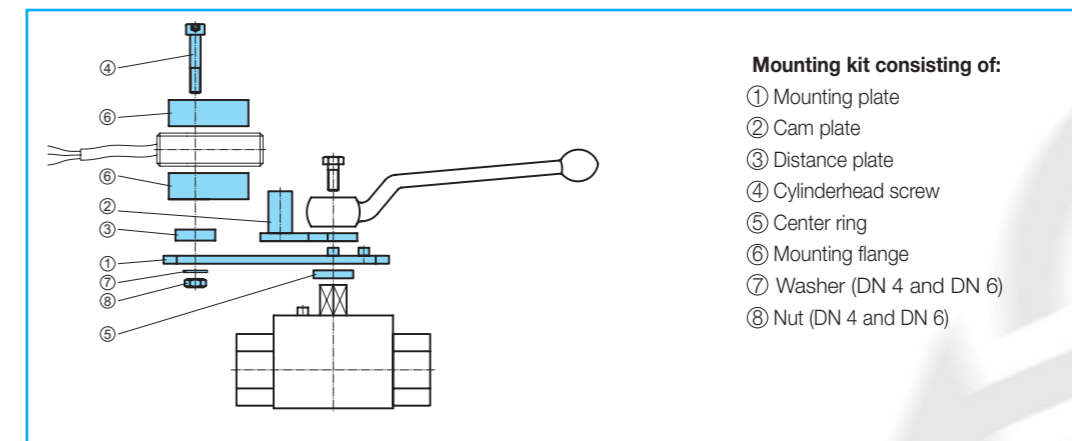
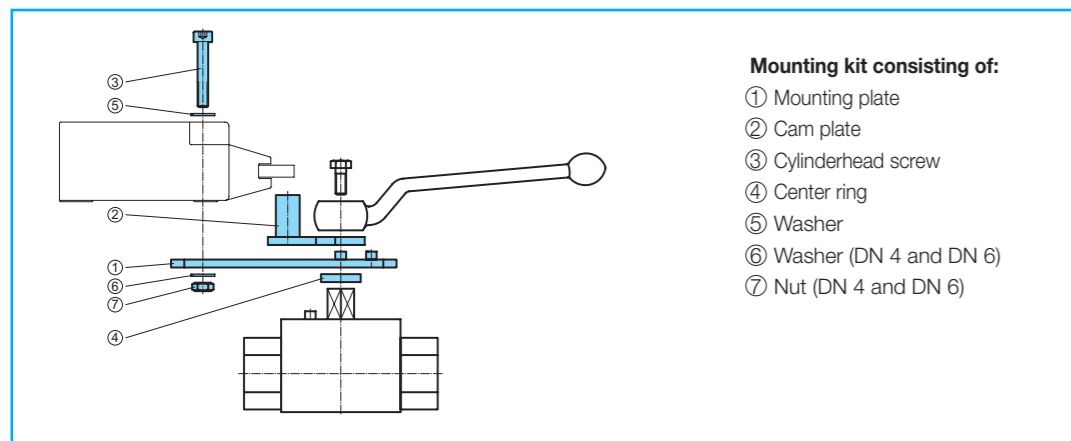


For dimensions and article-numbers for ball valve bodies refer to the respective chapter.
 Mounting kits for other types of ball valves on request
 All dimensions subject to change without notice
Also completely assembled available

Steel

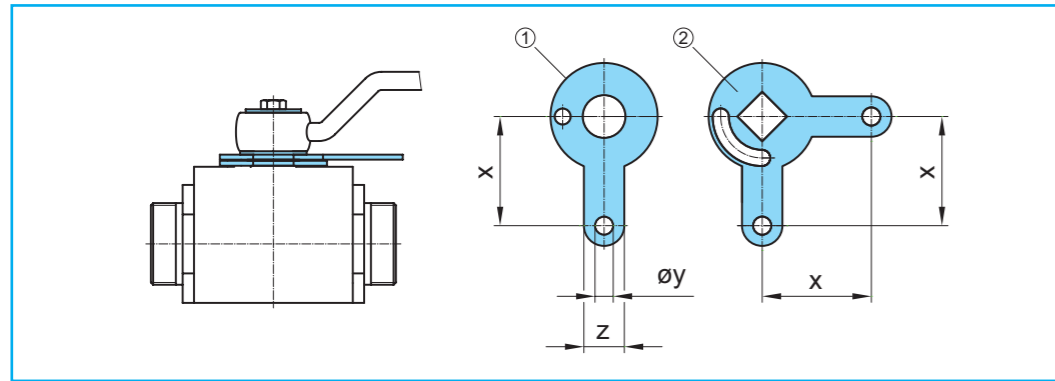
Steel

Switching positions	DN	2-way- and multi-way ball valves with floating ball		Multi-way ball valves with trunnion ball	
		Article-No.	Article-No.	Article-No.	Article-No.
open	4/6	204 061	204 061	204 091	
	8/10	204 062	204 062	204 092	
	12	204 063	204 063	204 092	
	16	204 063	204 063	204 092	
	20/25	204 065	204 065	204 093	
	32	204 066	204 066	204 093	
closed	4/6	204 071	204 071	204 101	
	8/10	204 072	204 072	204 102	
	12	204 073	204 073	204 102	
	16	204 073	204 073	204 102	
	20/25	204 075	204 075	204 103	
	32	204 076	204 076	204 103	
open and closed	4/6	204 081	204 081	204 111	
	8/10	204 082	204 082	204 112	
	12	204 083	204 083	204 112	
	16	204 083	204 083	204 112	
	20/25	204 085	204 085	204 113	
	32	204 086	204 086	204 113	
	40	204 086	204 086	204 114	
	50	204 086	204 086	-	



Attachments, accessories

Locking devices for 2- and multi-way ball valves with floating ball · Steel and stainless steel



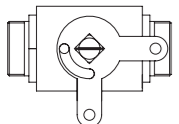
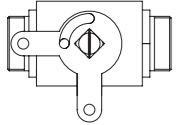
For dimensions and article-numbers for ball valve bodies refer to the respective chapter.

Locking devices for other types of ball valves on request

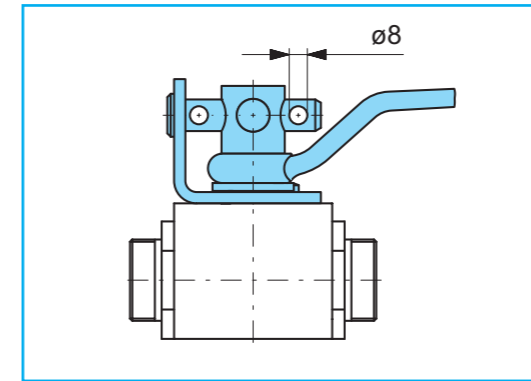
All dimensions subject to change without notice

Also completely assembled available

Material: stainless steel

Switching position	DN	t	x	y	z	Article-No.
	4/6	0,80	18	9	20	100 836
	8/10	1,20	21	9	20	100 837
	12	1,20	29	9	20	100 838
	16	1,20	29	9	20	100 838*
	20/25	1,50	34	9	20	100 840
	32/40/50	1,75	54	9	20	100 841

* DN 16 stainless steel 100840



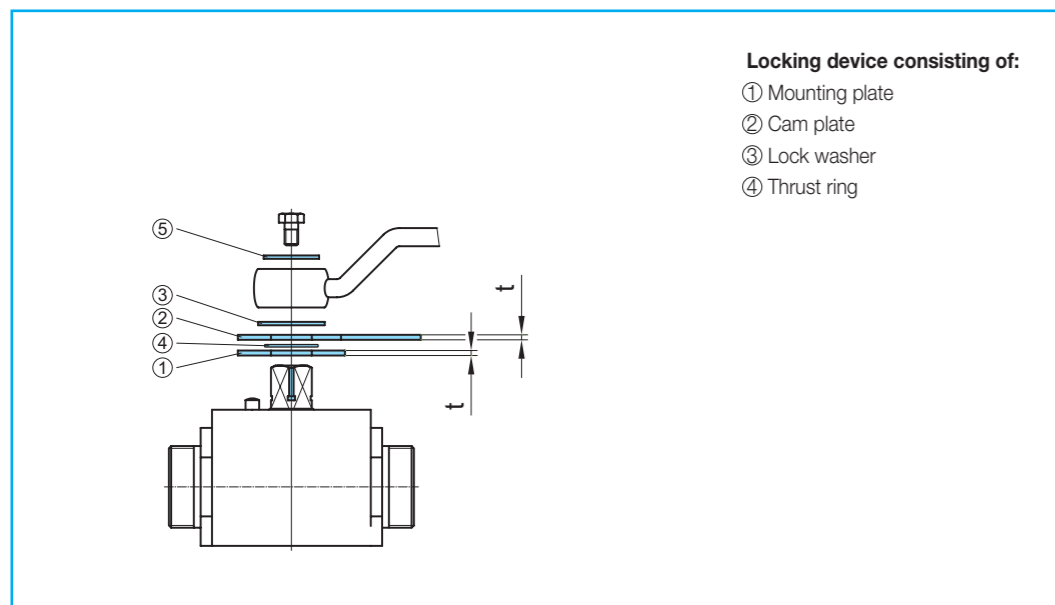
For dimensions and article-numbers for ball valve bodies refer to the respective chapter.

Locking devices for other types of ball valves on request

All dimensions subject to change without notice

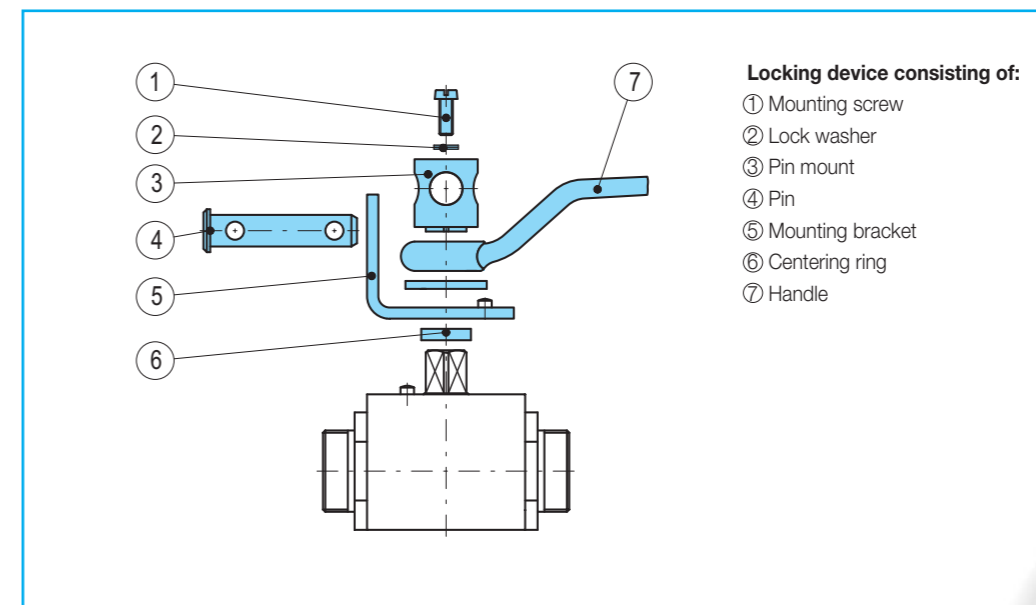
Also completely assembled available

Switching position	DN	Steel	Stainless steel
		Article-No.	Article-No.
open 	4/6	100 821	100 831
	8/10	100 822	100 832
	12	100 823	100 833
	16	100 823	100 834
	20	100 825	100 834
	25	100 825	100 834
closed 	32	100 826	100 835
	40	100 826	100 835
	50	100 826	100 835



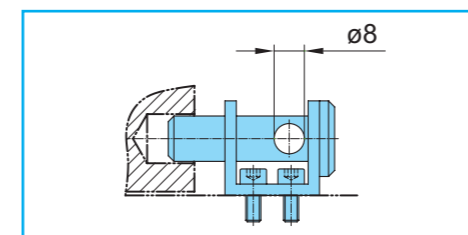
Locking device consisting of:

- ① Mounting plate
- ② Cam plate
- ③ Lock washer
- ④ Thrust ring



Locking device consisting of:

- ① Mounting screw
- ② Lock washer
- ③ Pin mount
- ④ Pin
- ⑤ Mounting bracket
- ⑥ Centering ring
- ⑦ Handle

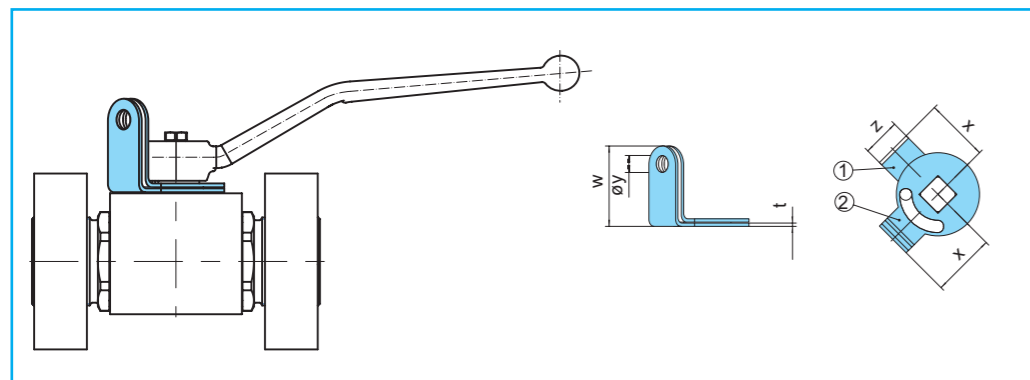


DN	Article-No.
76/102/127	100 830

NEW!

Attachments, accessories

Locking devices for 2- and multi-way ball valves with floating ball · Steel and stainless steel



NEW!

For dimensions and article-numbers for ball valve bodies refer to the respective chapter.

Locking devices for other types of ball valves on request

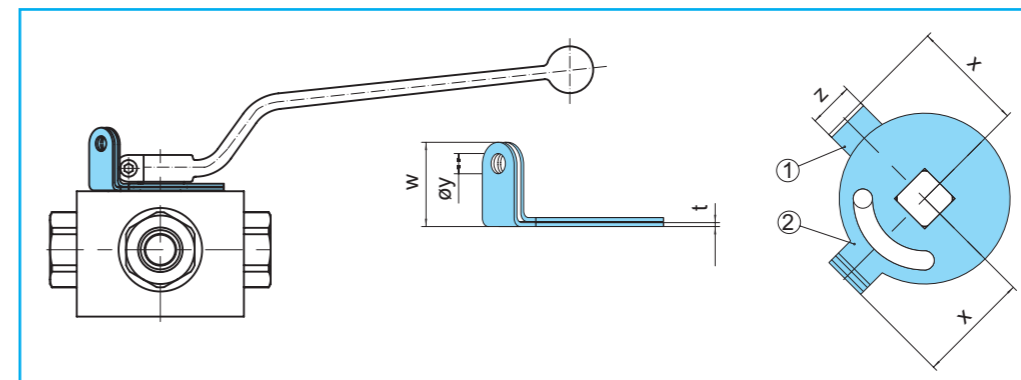
All dimensions subject to change without notice

Also completely assembled available

Material: stainless steel

Switching position	DN	t	w	x	y	z	Article-No.
	4/6	1,25	28,0	18,5	9	20	100 980
	8/10	1,25	30,0	20,5	9	20	100 981
	12/16	1,25	32,0	28,0	9	20	100 982
	20/25	1,75	42,5	34,0	9	20	100 983
	32/40/50	1,75	29,0	46,0	9	20	100 984

Locking devices for 2- and multi-way ball valves with trunning ball · Steel and stainless steel



NEW!

For dimensions and article-numbers for ball valve bodies refer to the respective chapter.

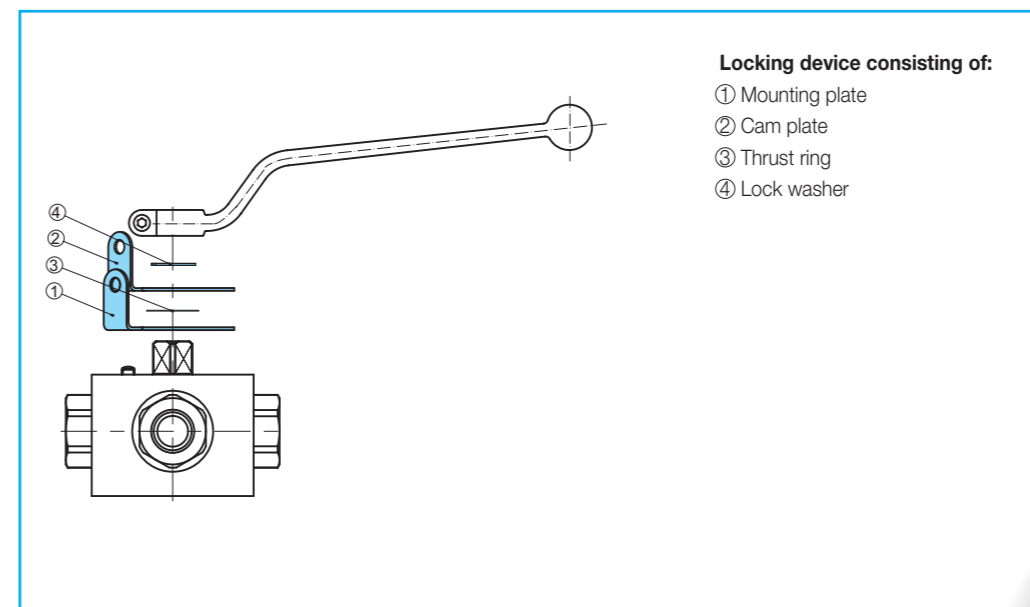
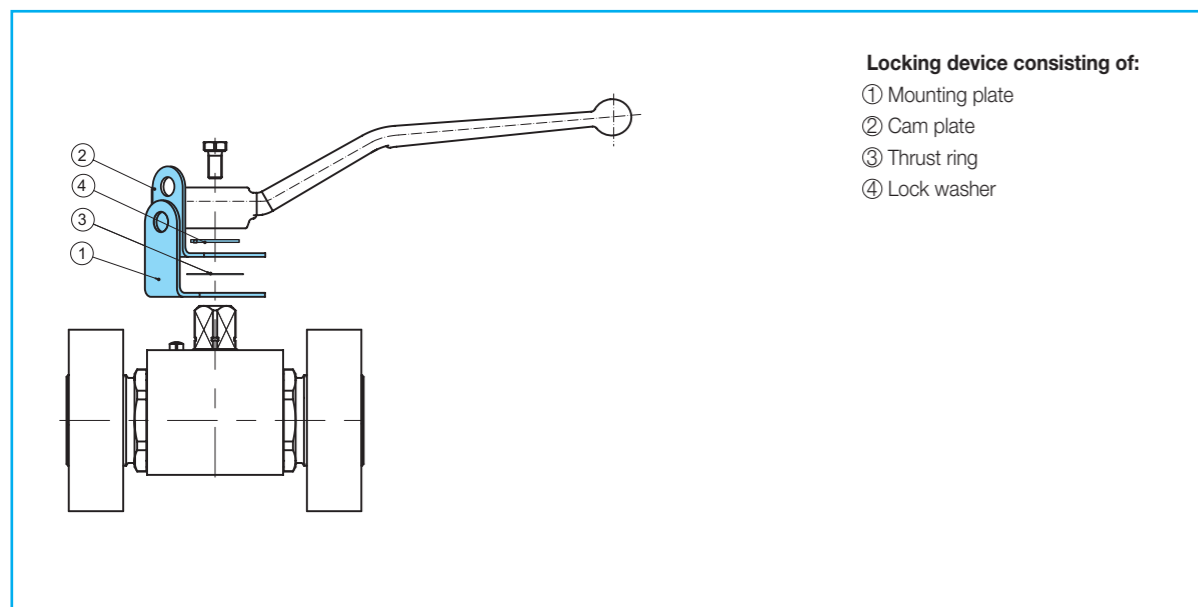
Locking devices for other types of ball valves on request

All dimensions subject to change without notice

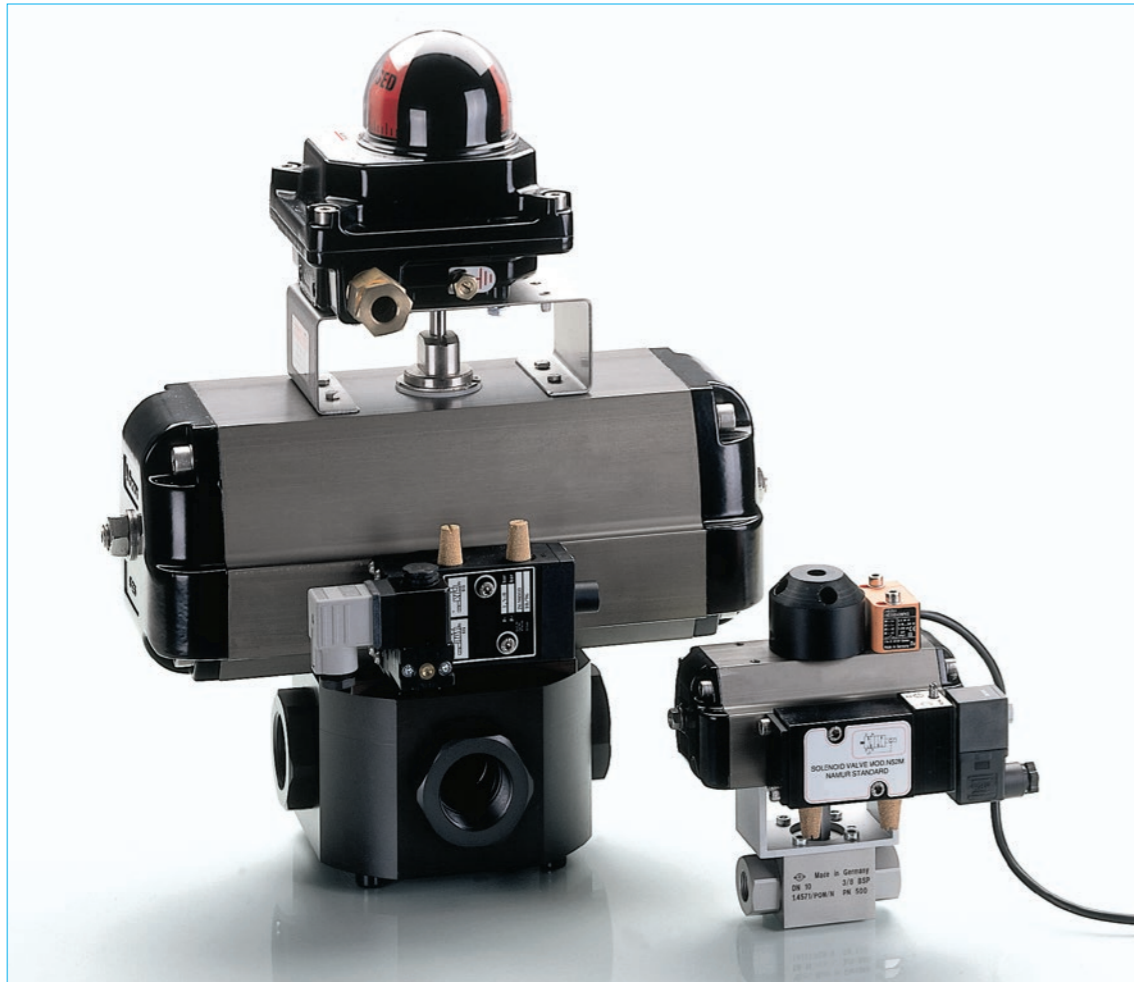
Also completely assembled available

Material: stainless steel

Switching position	DN	t	w	x	y	z	Article-No.
	4/6	1,75	37,5	35,00	9	20	203 905
	8/10/12	1,75	37,5	37,00	9	20	203 906
	20/25/32/40	1,75	37,5	50,25	9	20	203 907



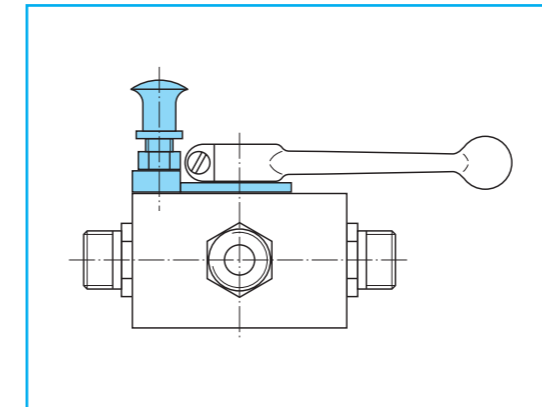
Actuators



Actuators

Most available pneumatic, hydraulic and electrical actuators can be attached, here only an example is given. Solenoid valves can be mounted as well or the system can be integrated into bus technology.

Detents for multi-way ball valves with trunnion ball
Steel and stainless steel



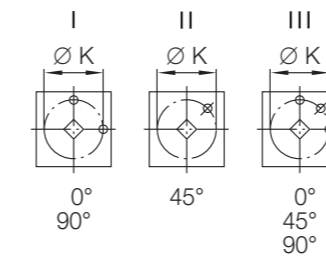
For dimensions and article-numbers for ball valve bodies refer to the respective chapter.

Detents for other types of ball valves on request

All dimensions subject to change without notice

Also completely assembled available

Common detent position at:



DN	K
4/6	52
8/10	62
12	62
16/12	62
20	68
25	68
32	68
40	68

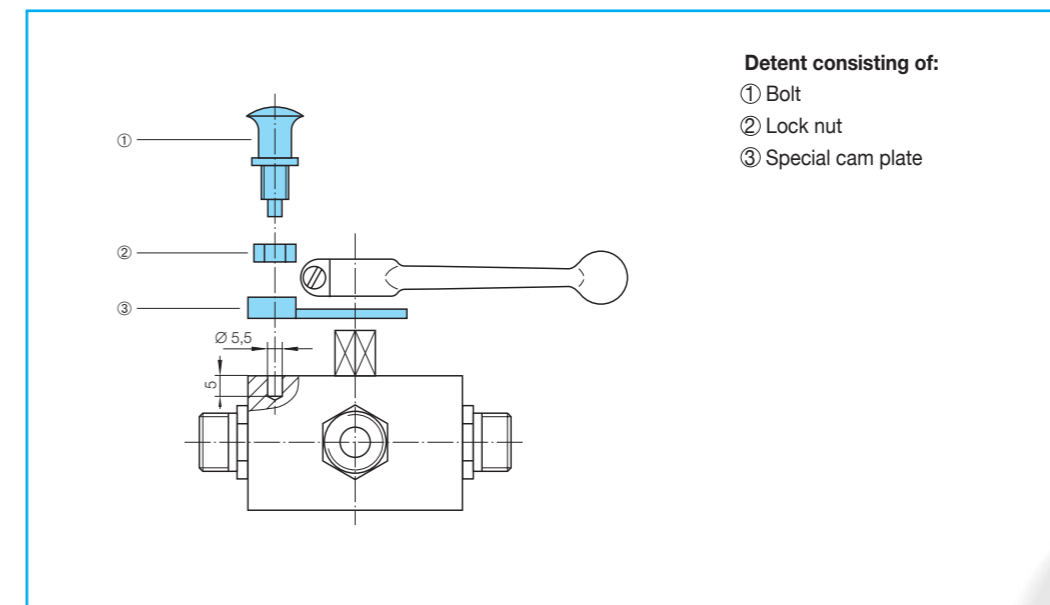
Steel

Stainless steel

Article-No.

Article-No.

203 897	203 901
203 898	203 902
203 898	203 902
203 898	203 902
203 899	203 903
203 899	203 903
203 899	203 903
203 900	203 904



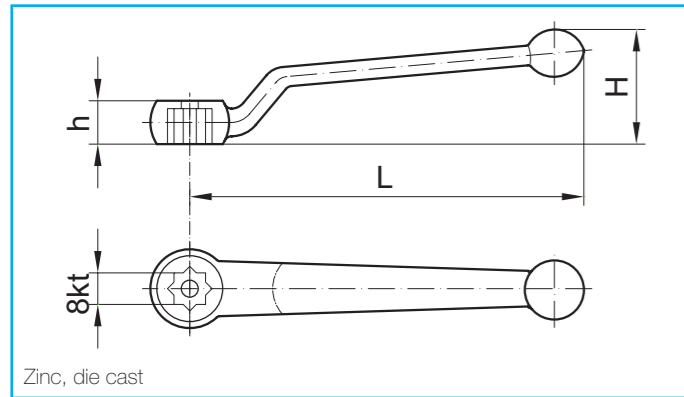
Detent consisting of:

- ① Bolt
- ② Lock nut
- ③ Special cam plate



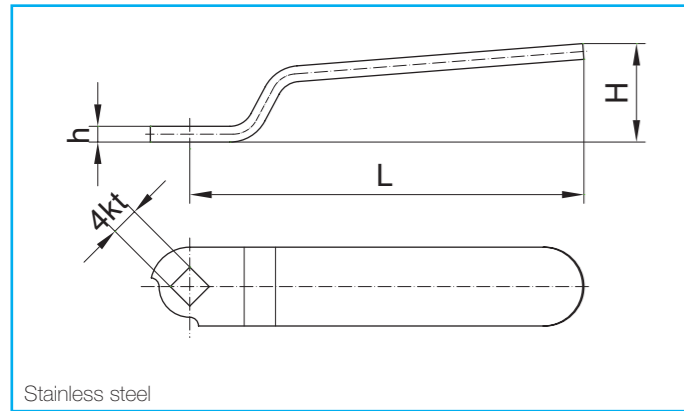
Attachments, accessories

Handles

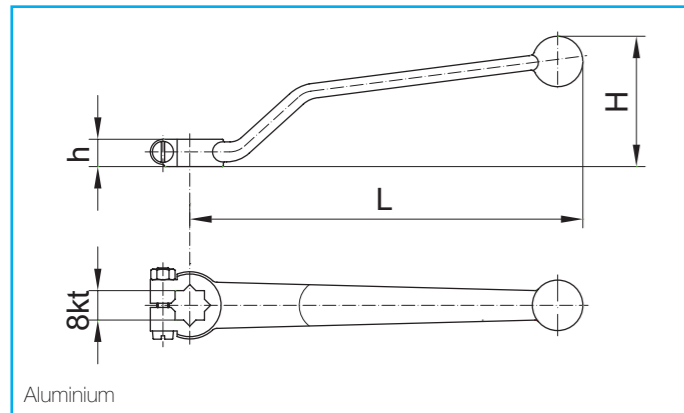


All dimensions subject to change without notice
Dimensions in mm

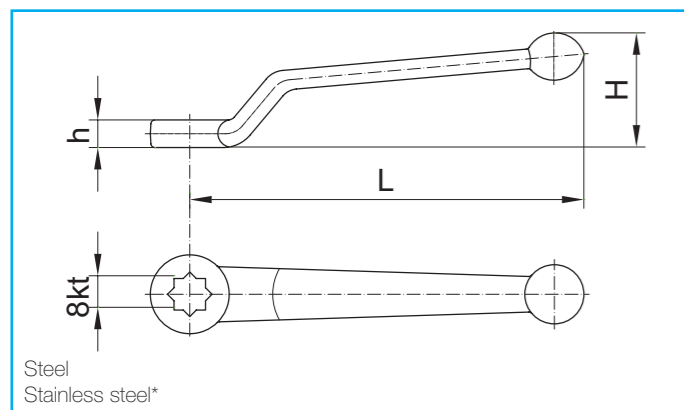
8kt	Code	L	H	h	Art.-No.
7	12	76	27	8,5	903709
8	13	100	29	11,0	903708
10	14	113	54	14,0	903706
14	15	184	57	18,0	903694



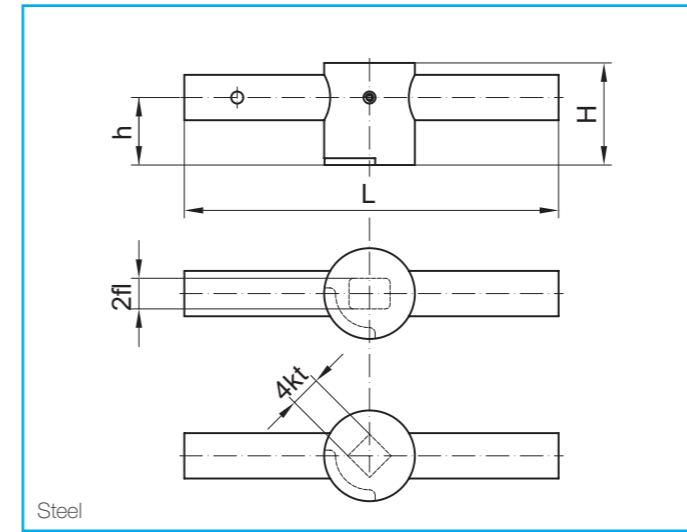
4kt	Code	L	H	h	Art.-No.
7	32	76,0	23	4	903749
8	33	130,0	40	4	903750
10	34	130,0	40	4	903751
14	35	185,0	45	5	903752



8kt	Code	L	H	h	Art.-No.
8	4	91	24	9,0	903020
9	54	130	47	11,0	903636
12	7	187	54	13,0	903009
14	8	187	62	13,0	903004
17	9	227	70	14,0	903027
19	10	259	81	16,5	903028
22	11	361	68	18,0	903610

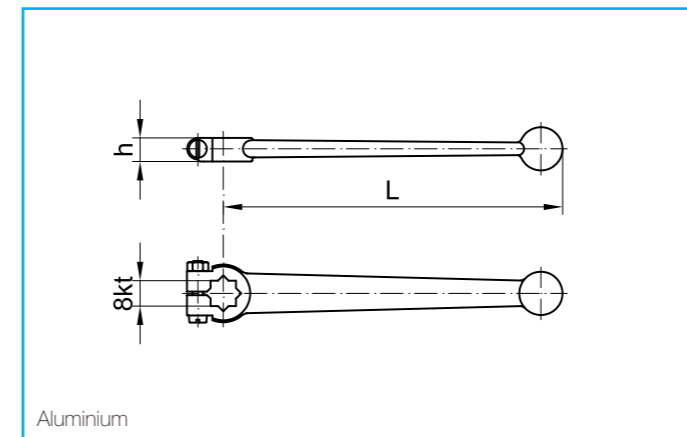


8kt	Code	L	H	h	Art.-No.
7	16	96	40	9,0	903804
8	17	96	40	9,0	903803
10	19	116	48	12,5	903414
14	20	187	54	13,0	903634
17	21	211	66	14,0	903440
17*	37	211	66	14,0	903758
17	22	320	76	17,0	903539
17*	38	320	76	17,0	903759
19	23	320	76	17,0	903548



All dimensions subject to change without notice
Dimensions in mm

2fl	Code	L	H	h	Art.-No.
27	57	1000	90	59,5	903755



4kt	Code	L	H	h	Art.-No.
19	58	600	80	53,0	903754

8kt	Code	L	h	Art.-No.
11	41	176	12	903029
12	42	200	14	903030
14	43	200	13	903031
17	44	240	14	903005
19	45	279	16	903032
22	46	321	19	903620
24	47	321	19	903010

